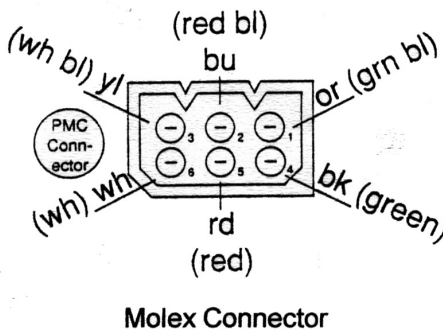
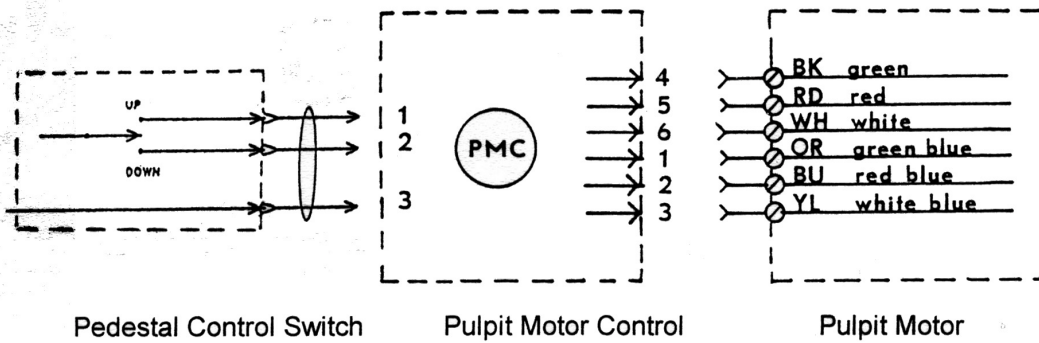


## Installation Guide for Pulpit Motor Control



**Warning:** If your pulpit lift mechanism comes equipped with a cable that is pre-wired for the 6-pin Molex connector on the PMC, be sure to verify all circuit connections before plugging the cable into the PMC. Improper cable hook-up could result in damage to the PMC. Such damage is not covered under the warranty.