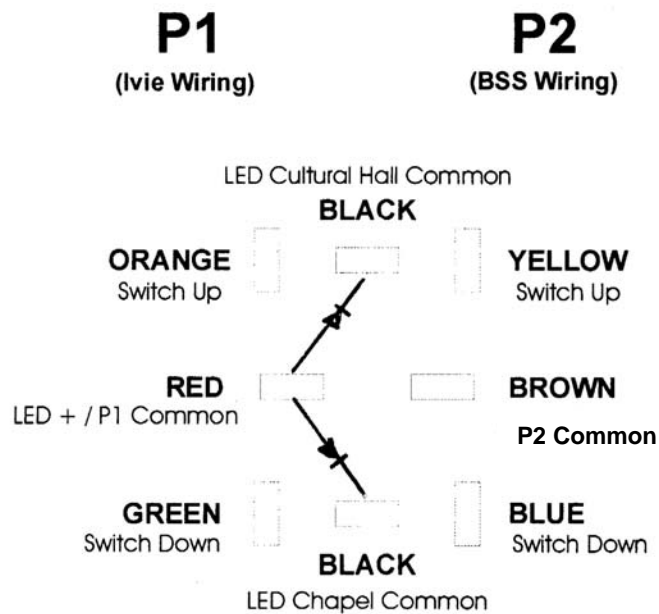


MSC-C Installation Guide

If you are installing the MSC-C module into a new sound system using a DSP from either BSS Audio or Ivie Electronics, then follow the wiring diagram below:



Backside of Switch View

If you are installing the MSC-C module into an existing sound system, as a replacement for an older MSC-C (PCB Version), then follow the wiring instructions below:

Wire from Terminal 5 – connect to yellow and blue wires on new MSC-C

Wire from Terminal 4 – connect to both black wires on new MSC-C

Wire from Terminal 3 – connect to green wire on new MSC-C

Wire from Terminal 2 – connect to orange wire on new MSC-C

Wire from Terminal 1 – connect to red and brown wires on new MSC-C