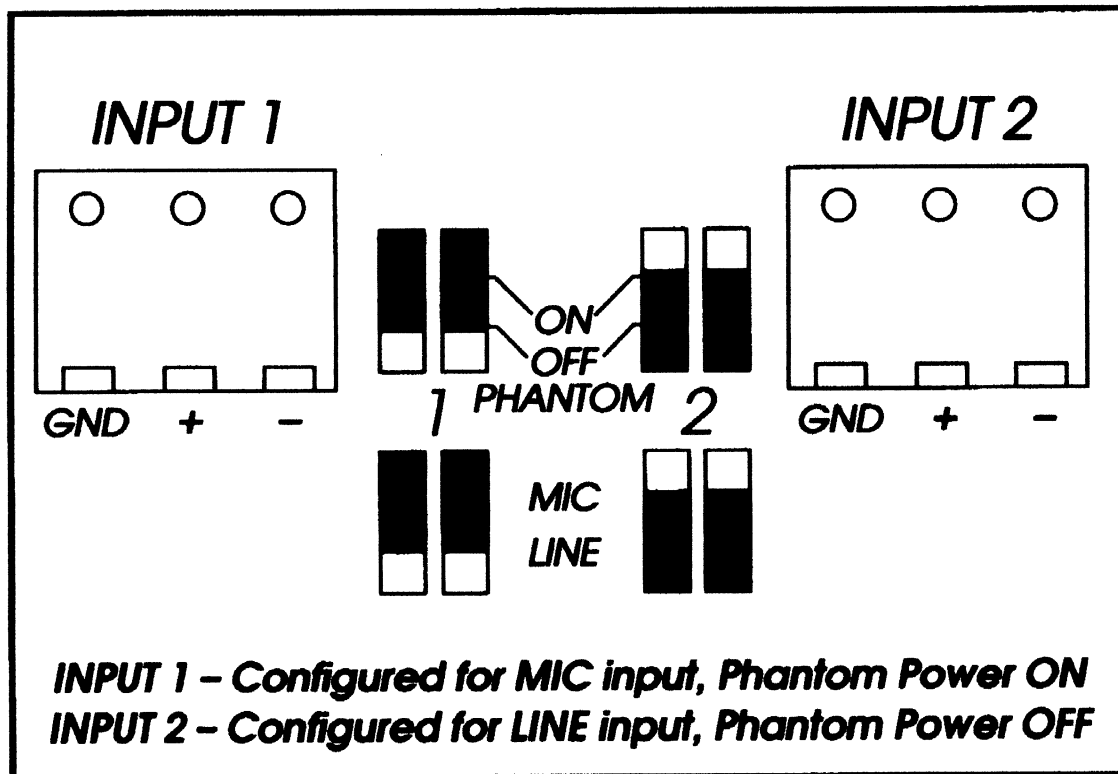


ISA-253 Simplified Block Diagram



Rear View of ISA-253, showing inputs and mic, line, and phantom power configuration jumpers